

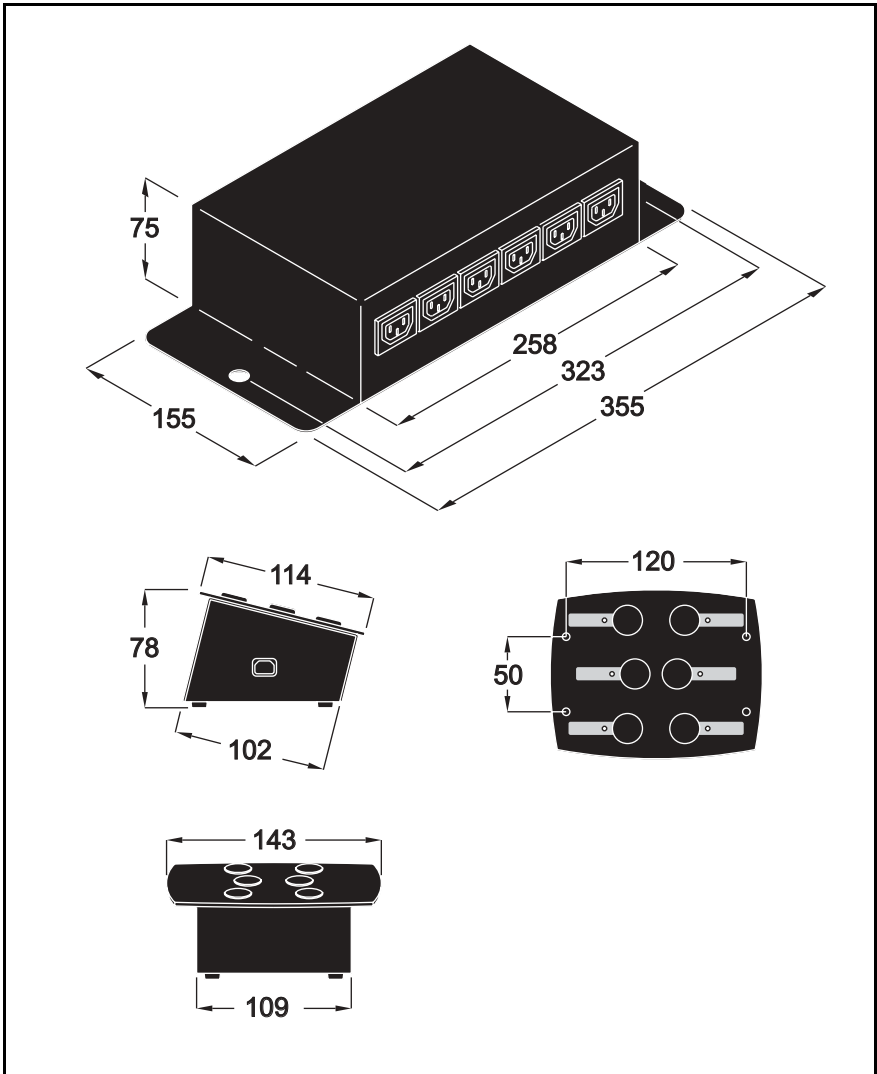
MC Switch

user manual



Martin

Measurements are expressed in millimeters.



© 2004 Martin Professional A/S, Denmark.

All rights reserved. No part of this manual may be reproduced, in any form or by any means, without permission in writing from Martin Professional A/S, Denmark.

Printed in China.

P/N 35000141, Rev. D.

CONTENTS

| | |
|------------------------------------|---|
| 1. Introduction | 1 |
| Safety information | 1 |
| Unpacking | 2 |
| 2. Installation | 3 |
| AC power | 3 |
| Connecting fixtures | 4 |
| Installation/mounting | 5 |
| Connecting the Control Box | 5 |
| 3. Operation | 6 |
| 4. Fuses | 7 |
| 115-120 V, 60 Hz model fuses | 7 |
| 220-240 V, 50 Hz model fuses | 7 |
| Replacing the mains fuse | 7 |
| 5. Specifications | 9 |

1. INTRODUCTION

Thank you for selecting a Martin MC Switch. This switching device allows you to turn on and off up to six devices.

The MC Switch is ruggedly built for years of trouble-free use. Setup and operation are simple; please read this manual before setting up and operating the device.

The MC Switch comes in two models:

- 220-240 V, 50 Hz
- 115-120 V, 60 Hz

The model that you have is indicated on the serial number label on the fixture. An MC Switch consists of a *Power Box* and a *Control Box* (remote control device).

SAFETY INFORMATION

Warning! *This product is not for household use. It presents risks of lethal or severe injury due to fire and heat, electric shock, and falls.*

This product is for professional use only. It is not for household use. Read this manual before powering or installing the fixture, follow the safety precautions listed below and observe all warnings in this manual and printed on the fixture. If you have questions about how to operate the fixture safely, please contact your Martin dealer.

Note: *Ingress protection rating: IP 20*
Switch for use in Class I Appliance
Number of operating cycles: 10000 times
Level 3 switch
Pollution degree 2
PTI 175
Rated impulse withstand voltage: 2500V

Protecting yourself and others from electric shock

- Disconnect the fixture from AC power before removing or installing fuses or any part, and when not in use.
- Always ground (earth) the fixture electrically.
- Use only a source of AC power that complies with local building and electrical codes and has both overload and ground-fault protection.
- Do not expose the fixture to rain or moisture.
- Refer all service to a qualified technician.
- Never operate the fixture with missing or damaged covers.

Protecting yourself and others from burns and fire

- Never use the device to power fixtures that exceed the specified maximum load.
- Never attempt to bypass the fuses.
- Always replace defective fuses with ones of the specified type and rating.
- Do not modify the fixture or install other than genuine Martin parts.

Protecting yourself and others from injury due to falls

- When suspending the fixture above ground level, verify that the structure can hold at least 10 times the weight of all installed devices.
- Secure the device with a safety wire threaded through the side holes.
- Block access below the work area whenever installing or removing the fixture.

UNPACKING

The packing material is carefully designed to protect the fixture during shipment - always use it to transport the fixture.

The MC Switch is packaged with the following:

- Power Box
- User manual
- Six-button Control Box remote control unit
- 10-metre RJ-45 cable

220-240V, 50Hz models are also supplied with 2 earthed IEC power cables and 6 IEC male plugs.

2. INSTALLATION

AC POWER

The MC Switch comes in two models:

- 220-240 V, 50 Hz
- 115-120 V, 60 Hz

The model that you have is indicated on the serial number label on the fixture.

Warning *Do not operate the fixture on a power supply that falls outside of these ranges.*

Use only a source of AC power that complies with local building and electrical codes and has both overload and ground-fault protection.

For protection from dangerous electric shock, the fixture must be grounded (earthed). The AC mains supply shall have overload and ground-fault protection.

Important! *Verify that the feed cables are undamaged and rated for the current requirements of all connected devices before use.*

The:


- 115-120 V model comes with a hard-wired 1-meter (3.3 ft) power cable.
- 220-240 V model comes with two 3-meter (10 ft) power cables - one without a mains plug and the other with a 2-pin Euro plug.

Installing a plug on the mains lead

The MC Switch's mains lead may require a grounding-type plug that fits your power distribution cable or outlet. Consult a qualified electrician if you have any doubts about proper installation.

Following the manufacturer's instructions, install an approved grounding-type plug that fits your supply. Connect the wires to the pins as listed below. The table shows some possible pin identification schemes; if the

pins are not clearly identified, or if you have any doubts about proper installation, consult a qualified electrician.

| Wire (EU) | Wire (US) | Pin | Marking | Screw (US) |
|--------------|-----------|---------|---|-----------------|
| brown | black | live | “L” | yellow or brass |
| blue | white | neutral | “N” | silver |
| yellow/green | green | ground |  | green |

CONNECTING FIXTURES

The model that you have is indicated on the serial number label on the fixture.

Warning! *Do not daisy-chain additional switch packs to the power outputs of the MC Switch.*

220-240 V, 50 Hz models

IEC male plugs, included, must be installed on the fixture power cables. Connect the wires as shown in the above table. Consult a qualified electrician if the power cables for your fixtures are colored differently.

Plug the fixtures into the power outputs on the Power Box.

Warning! *Each power output can supply 300 watts maximum to a fixture utilizing a halogen lamp. Do not connect higher wattage devices to the switch pack or connect more than one fixture to an output. The maximum total load on 220-240 V, 50 Hz models is 1800 watts.*

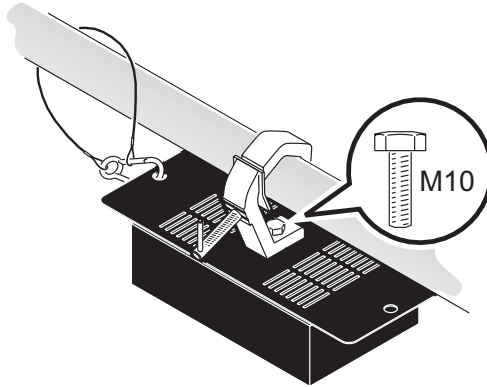
115-120 V, 60 Hz models

If necessary, install local plugs, or cord caps, to your lighting fixtures. Connect the fixtures into the power outputs on the Power Box.

Warning! *Each power output can supply 300 watts maximum to a fixture utilizing a halogen lamp. Do not connect higher wattage fixtures to the switch pack or connect more than one fixture to an output. The maximum total load on 115-120 V, 60 Hz models is 1500 watts. This means you can use 5 outputs with the maximum 300 watts load on each, or 6 outputs with 250 watts load on each.*

INSTALLATION/MOUNTING

The Power Box can be floor mounted, bolted fast to a rack or surface, or suspended using a clamp (as in the following illustration).



Warning! *When suspending the Power Box above ground level, verify that the structure can hold at least 10 times the weight of all installed devices.*

Secure the device with a safety wire threaded through the side holes.

CONNECTING THE CONTROL BOX

The Control Box is connected to the **In** socket on the Power Box using the supplied 10 m (33 ft) RJ-45 cable.

The maximum length of RJ45 cable between the Control Box and the Power Box is 20 meters (66 ft).

Warning! *Use only an MC Switch Control Box. Do not connect an other type of remote control device or a DMX network to the Power Box.*

Controlling multiple MC Switches with a single remote

Up to four Power Boxes can be daisy-chained to a single Control Box using additional RJ-45 cables and the **In** and **Out** sockets on successive Power Boxes.

The maximum cable length between each successive Power Box in a daisy-chain is 10 m (33 ft).

3. OPERATION

Each of the six power outputs can be activated or deactivated using the buttons on the Control Box. When power is on for an output the associated LED will light up.



When controlling multiple Power Boxes with a single Control Box, each button will activate or deactivate the associated power output on all the Power Boxes.

4. FUSES

The MC Switch uses an onboard mains fuse for protection against current overload. An indication that the fuse may have blown is that when power is applied and the lamp is switched on, no light is produced.

If the fuse blows repeatedly, there is a fault with the unit that requires service by a Martin technician.

Never bypass the fuse or replace it with one of another size or rating.

115-120 V, 60 HZ MODEL FUSES

The 115-120 V, 60 Hz model uses a 15AF mains fuse and six 4AT/250V fuses (1 per power output):

| | |
|-----------------|---------------------|
| 15AF fuse | Martin P/N 05021018 |
| 4AT fuse | Martin P/N 05020017 |

220-240 V, 50 HZ MODEL FUSES

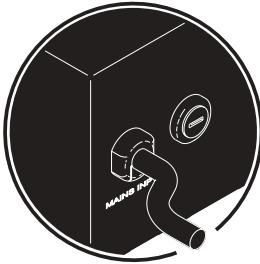
The 220-240 V, 50 Hz model uses a 10AH mains fuse and six 2.5AT/250V fuses (1 per power output):

| | |
|------------------|---------------------|
| 10AH fuse | Martin P/N 05021017 |
| 2.5AT fuse | Martin P/N 05020010 |

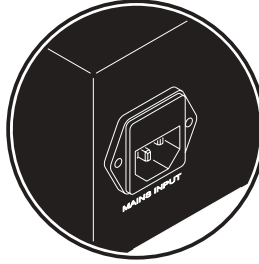
REPLACING THE MAINS FUSE

- 1 Unplug the mains cable from the input socket.

- 2 Open the fuse holder (located next to the mains power connector) with a flat-head screwdriver and remove the fuse.



115-120V, 60Hz model



220-240V, 50Hz model

- 3 Replace the fuse with one of the same type. The fuse rating is listed on the serial number label and in "5. Specifications" on page 9.
- 4 Replace the fuse cover.

5. SPECIFICATIONS

115-120 V, 60 Hz version (U.S.)

PHYSICAL

Size - Power Box (LxWxH) 355x155x75 mm (14x6.1x32 in.)
Weight - Power Box 1.85 kg (4 lbs)

CONSTRUCTION

Housing steel

ELECTRICAL

AC Power input 115-120 V, 60 Hz
AC power output 6 channels, max. total output 1500 watts
(250 watts per channel using 6 channels or
300 watts per channel using up to 5 channels)

INCLUDED ITEMS

Power Box
Control Box
2 m (6.5 ft) US mains cable 18AWG with US male connector (UL approved)
User manual
10 m (33 ft) RJ-45 cable

ACCESSORIES

15AF mains fuse Martin P/N 05021018
4AT fuse Martin P/N 05020017

ORDERING INFORMATION

MC Switch 6 channel, 115-120V, 60Hz. P/N 90758245

220-240 V, 50 Hz version (E.U.)

PHYSICAL

Size - Power Box (LxWxH) 355x155x75 mm (14x6.1x32 in.)
Weight - Power Box 1.85 kg (4 lbs)

CONSTRUCTION

Housing steel

ELECTRICAL

Input 3-prong IEC male socket
AC Power input 220-240 V, 50 Hz
AC power output 6 channels, max. 300 watts per channel

INCLUDED ITEMS

Power Box
Control Box
3 m (9.8 ft) EU mains cable 3x1.0mm² with Euro connector
3 m (9.8 ft) EU mains cable 3x1.0mm² with no male connector
User manual
10 m (33 ft) RJ-45 cable

ACCESSORIES

10AH mains fuse Martin P/N 05021017
2.5AT fuse Martin P/N 05020010

ORDERING INFORMATION

MC Switch 6 channel, 220-240V, 50Hz P/N 90758240

Martin

www.martin.com • Olof Palmes Allé 18 • 8200 Aarhus N • Denmark
Tel: +45 8740 0000 • Fax +45 8740 0010